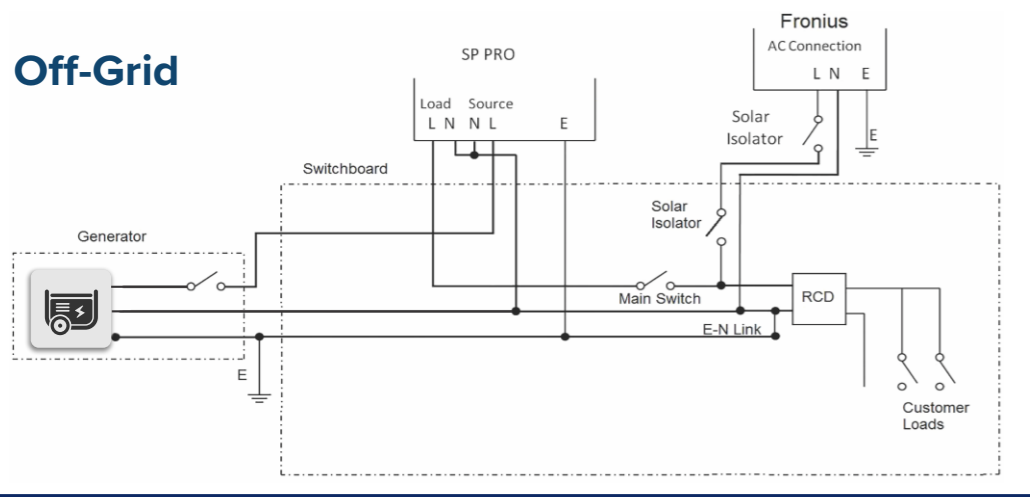
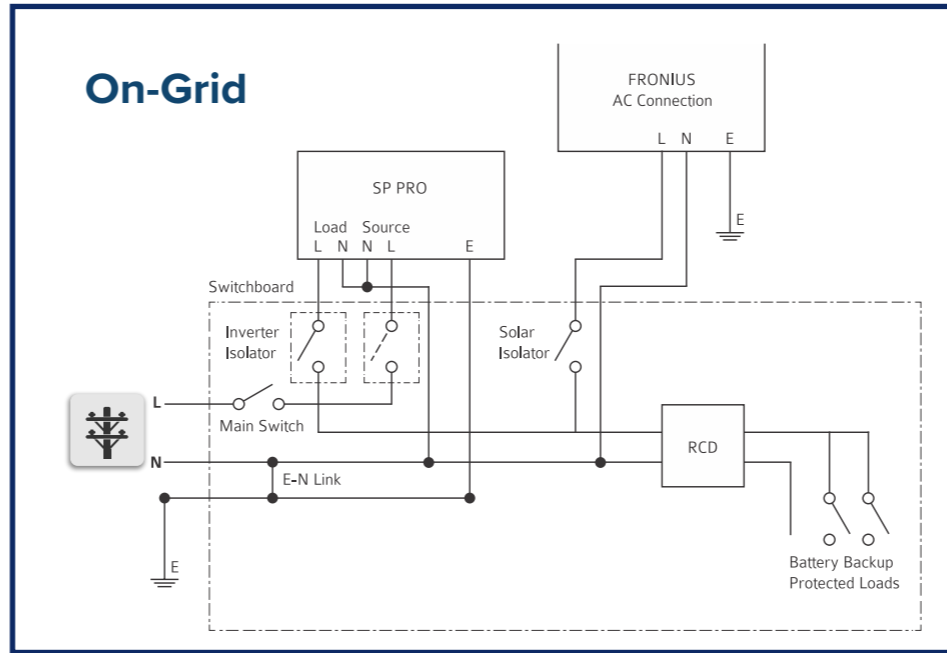


## Off-Grid

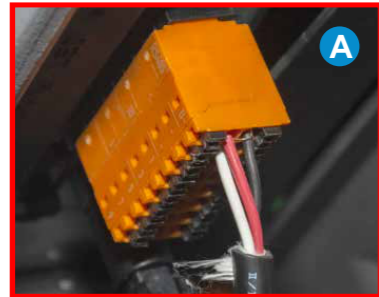


## On-Grid



# SP PRO Series 2i Fronius Primo

## Installation Overview



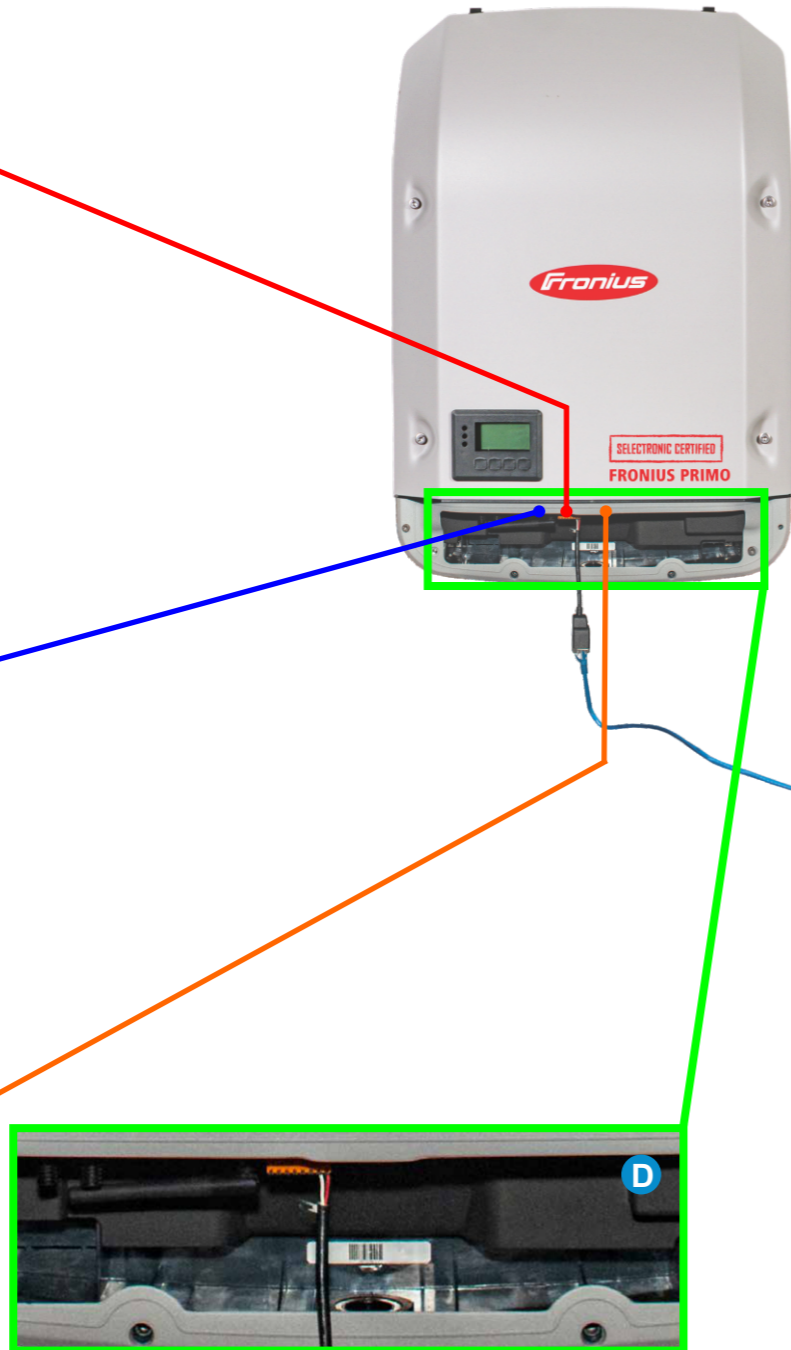
Do Not offset plug.  
White = '-'  
Red = 'RS485 D-'  
Black = 'RS485 D+'



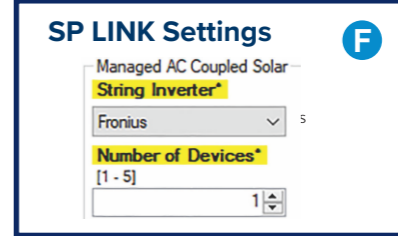
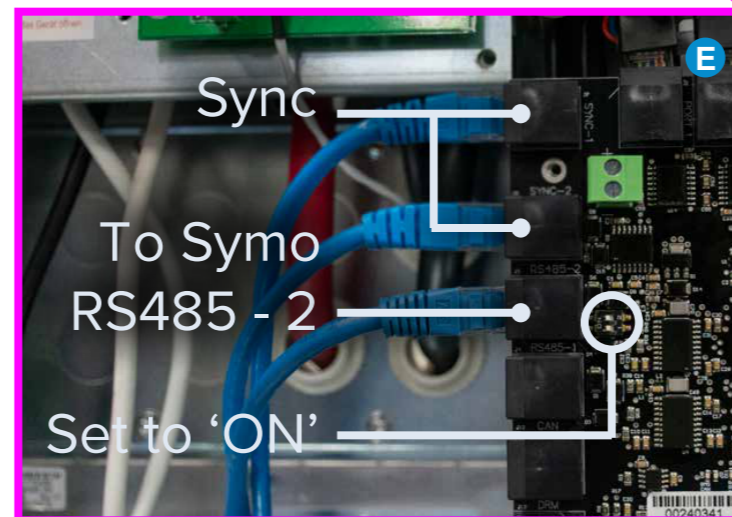
Switch in  
'Master' position.



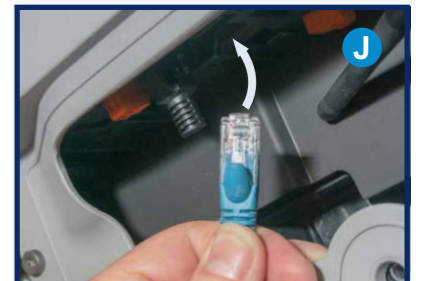
Switch to RHS  
'B' position.



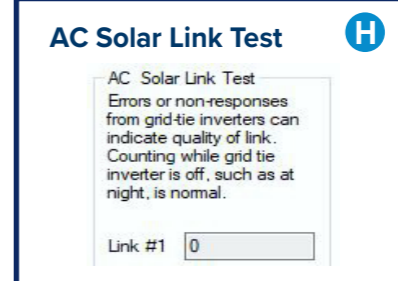
L1 Manager



**Fall Back Testing**  
- Unplug  
- Wait 10 seconds, check:



**Fail Safe Testing**  
- Unplug  
- Check:



Please ensure to run the SP LINK site configuration Wizard.  
View installation guide:  
HelpDoc: IN0049  
[www.selectronic.com.au/support](http://www.selectronic.com.au/support)

